

Getting Started

Grid Pad Pro 13

Looking after your Grid Pad

When not in use, store your Grid Pad safely with no hard objects rested or pressed against the screen.

Cleaning

The best way to clean the touchscreen is using a microfibre cloth. To minimise the risk of bacteria being transferred between users, the machine should be regularly cleaned with a detergent wipe.

This can be followed with an alcohol-based wipe after cleaning with the detergent wipe for a deep clean.

The machine should not be immersed in water, or cleaned with a wet cloth, gels, polishes or any abrasive cleaning product.

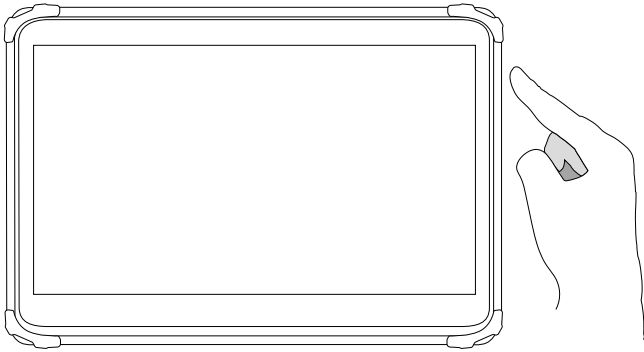
Protection

Avoid exposure to water, including heavy rain. The screen seal will protect it against moisture but the device is not designed to be waterproof.

Your Grid Pad is sufficiently robust for normal use but is not designed to be stood on or dropped from a height, so take care when handling and using to avoid drops and bangs.

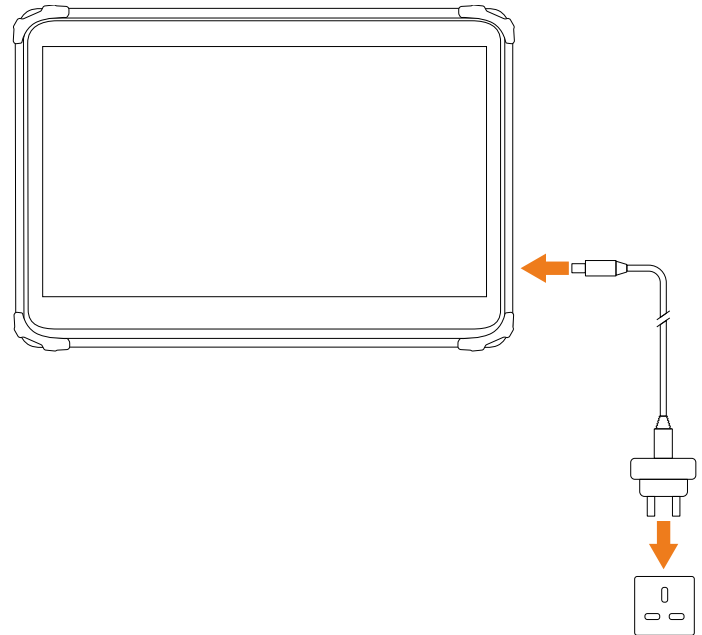
Turning on your Grid Pad

Turn on the Grid Pad by pressing the power button on the right hand side of the device:



Charging your Grid Pad

To charge your Grid Pad, insert the charging cable to a power source and insert into the device as shown below.



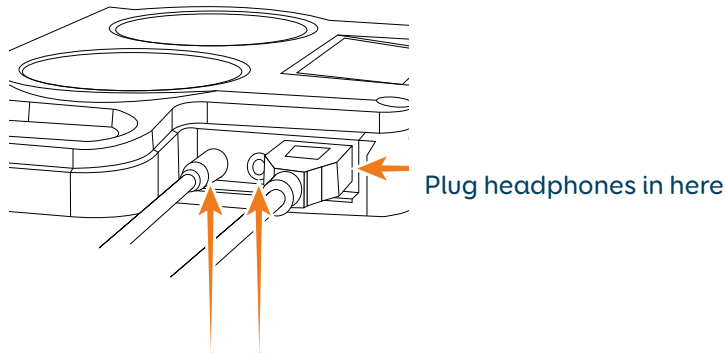
What is included with your Grid Pad

- Tablet computer with Windows
- Grid 3 software for communication and computer control
- High quality amplification
- Headphone socket for auditory scanning
- Switch input
- Radio switch input
- Shoulder strap
- Flip out feet for desk use
- Infrared environment control
- Radio environment control
- Additional hot-swappable battery
- Mounting plate to work with Rehadapt or DAESSY systems

All of the adaptations are connected by USB and will work when you turn your device on.

Auditory feedback and headphones

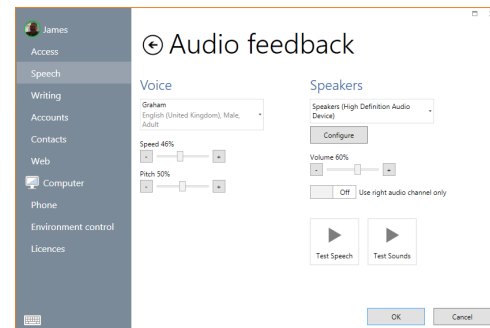
You can use headphones with your Grid Pad for private listening. This is particularly useful for switch users that want to hear what a selection will say before they select it. You need to set this up in Grid 3 and then plug your headphones into the Grid Pad as shown below:



To setup auditory scanning in Grid 3

Open Grid 3 and go to **Settings > Speech > Audio feedback**.

Select 'Use right channel only'.
The audio channels will be split as required.

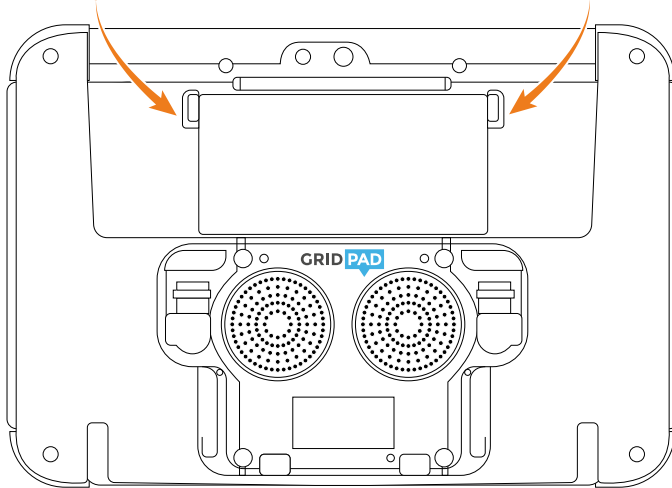


Hot-swappable battery

Your Grid Pad includes a hot-swappable external battery. This allows you to increase the time you can use the device by swapping a flat battery for a charged one.

You do not need to shut down the device before swapping the batteries. To remove the battery, simply squeeze the top corners to release.

Squeeze the top corners to release battery



Charging the hot-swappable battery

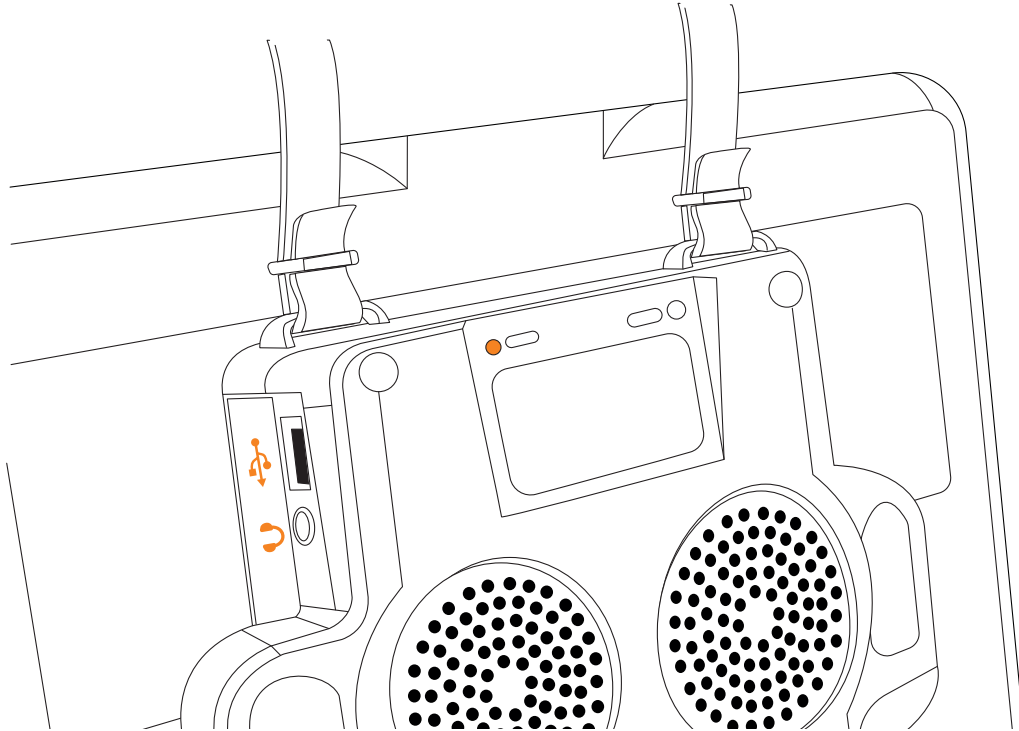
The Grid Pad charges the external battery when it is plugged in to the mains.

Charging one external battery takes approximately 2 hours.

Additional external batteries and a 6 battery charging dock are available as accessories.

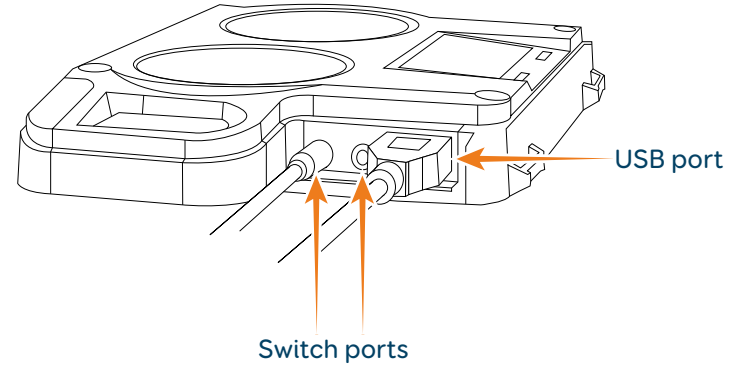
Shoulder strap

The Grid Pad Pro 13 comes with a shoulder strap so you can easily carry the device around. You need to attach the strap to the device as shown in the picture below:



Switch input

You can plug up to two switches into your Grid Pad. The ports are clearly labelled 1 and 2. Your switches must have the standard 3.5mm jack connection.



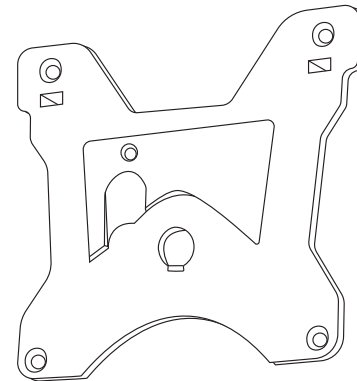
Mounting your Grid Pad

The Grid Pad is fitted with a mounting plate designed to work with Daessy and REHAdapt mounting systems.

Mounting safety

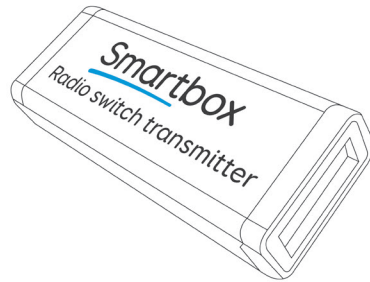
It is important to mount your device safely. Failure to do so could cause damage to the device. Please read the safety information that will come with the mounting equipment you use.

Our devices are supplied with a special dual mounting plate, as shown in the picture.

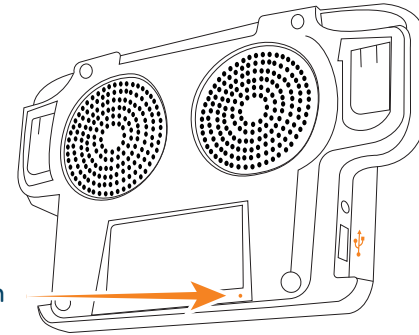


Radio switches

It is also possible to connect switches wirelessly to the Grid Pad using a wireless switch transmitter (sold separately). If you order the transmitter with the device then it will be paired and ready to use.



Radio switch reset button



If you need to use your radio switch close to other users, you can change the channel to stop interference. To change the channel, open the transmitter as described in the radio switch manual.

1. Change the transmitter channel by setting the rotary switch to 2, 4 or 6 (different to other transmitter modules).
2. Clear the previous setting by pressing the radio switch reset button for 10 seconds, using a fine point such as a paper clip.
3. Connect a switch to socket 1 on the transmitter and keep it pressed while momentarily pressing the push button on the receiver.
4. Repeat with a switch connected to socket 2 on the transmitter
5. Reassemble the case.

Environment control

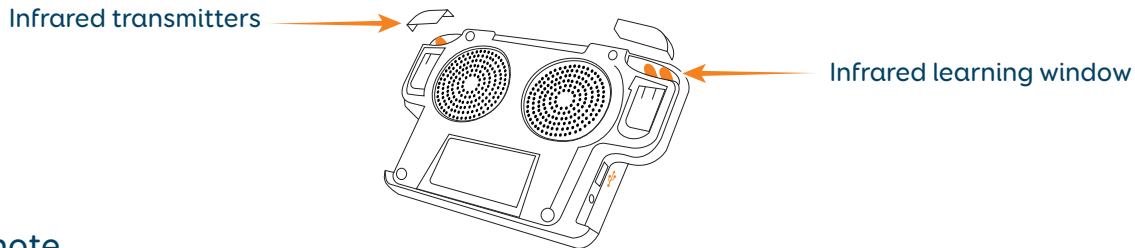
Infrared

Infrared environment control can be trained to work with most household devices that have an infrared remote control. This typically includes TVs and video systems, music centres and much more.

To create a cell in Grid 3 that can control an infrared accessory, we advise you refer to the software manual. However, to make a simple cell to complete this action:

1. In Grid 3, enter 'Edit mode' then double click on the cell you want to control the signal.
2. Choose Environment control from the Create cell menu.
3. Choose the type of accessory you would like to control, then select the Action. Click Ok to create the cell.
4. Under the Command menu select learn and follow the on screen instructions. Note if you are asked to configure the transmitter, choose GEWA.

See the diagram for the location of the infrared learning window on your Grid Pad.



Safety note

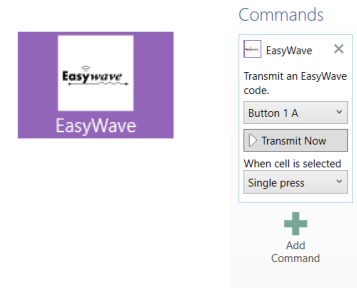
This unit is designed for environment control. For safety critical functions, such as to call for help or to open the door to leave the building in an emergency, or for any other function on which your safety depends, you should consider the use of a simple environment control transmitter, such as the GEWA Prog, or a single action controller as a backup.

Radio control

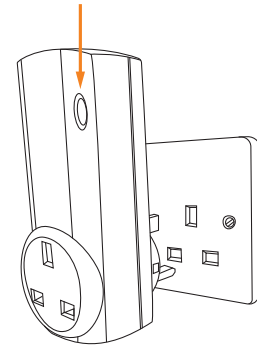
Your Grid Pad contains a radio transmitter that can be used to control a range of accessories. These include mains sockets (and therefore lamps, fans and heaters) as well as alarms and intercoms. Setting up your Grid Pad with a remote socket varies depending on the make, the following example shows how an Easywave socket can be paired with a Grid Pad running the Grid 3 software.

Programming a socket:

1. Plug the socket into the mains.
2. In Grid 3, enter edit mode and create a new cell and insert the command **EasyWave**. Choose the code you wish to transmit (**Button 1 A** if this is your first socket)
3. Press the **programming button** on the socket once. The LED will flash steadily.
4. Click 'Transmit now'.
5. The LED on the socket will now be solid for a few seconds before flashing again. Press the **programming button** three more times to confirm the pairing.
6. Exit edit mode in Grid 3 and select your cell. It should turn the socket on.
7. To create an 'off' cell repeat the process but choose **Button 1 B** and press the button on the socket twice when learning for the first time.



Programming button



Specification

Processor	Intel® Celeron™ 2957U 1.4GHz
Memory	8GB
Hard drive	256GB
Graphics card	Intel® HD Graphics
Dimensions (mm)	244 x 216 x 57
Camera	2 MP front and 8 MP rear
Screen	13.3" 1080 Full HD Display
Connectivity	Wi-fi and Bluetooth
Ports	2x USB 2.0, speaker out, Micro SD card slot
Switch access	2 x 3.5mm jack
Amplified speaker	2 x built-in high quality speakers
Environment control	Gewa, Eldat, Z-wave

Warranty

Grid Pad devices are covered under the standard warranty for 2 years.

Repairs

Please do not attempt to open your Grid Pad, as there are no user serviceable parts inside. If you want to discuss a repair please contact your local reseller.

For more information visit www.thinksmartbox.com.

Statement of compliance

This apparatus complies with the requirements of directive 93/42/EEC concerning medical devices. This Product is subject to Directive 2002/96/EC of the European Parliament and the Council of the European Union on waste electrical and electronic equipment (WEEE), and should not be disposed of as unsorted municipal waste. Please utilise your local WEEE collection facilities in the disposal of this product.



Smartbox



Smartbox Assistive Technology Limited
Smart House
4a Court Road, Malvern
Worcestershire, WR14 3BL, UK