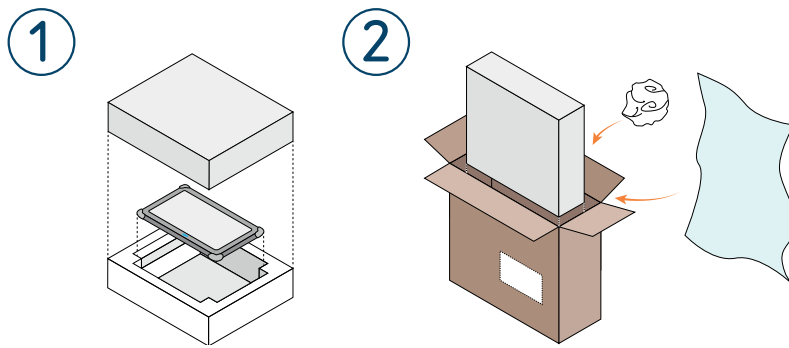


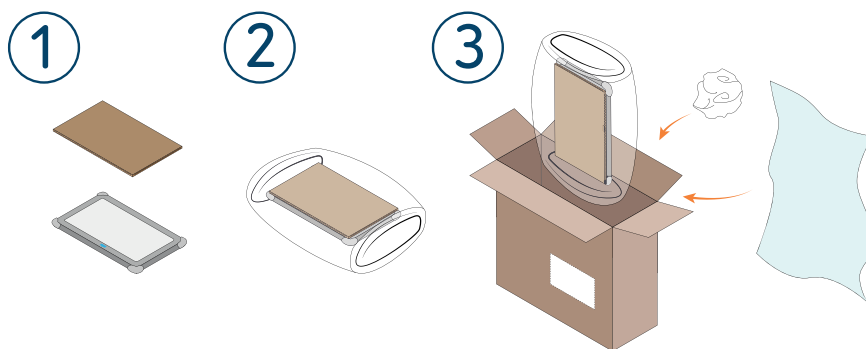
Returning your device to us United States

If you have the original box:



1. Place your device, along with any power leads and cables back into the original box.
2. Pack the box into a second box, with soft packaging (eg. scrunched paper, bubble wrap, polystyrene chips) to prevent movement.

If you do not have the original box:



1. Cover your device's screen with a protective layer e.g. cardboard.
2. Wrap your device with soft packing, e.g. bubble wrap. A total thickness of 2 inches is recommended.
3. Pack your wrapped device into a mailing box with soft packaging surrounding to prevent movement.

Once packed, cut out and affix the label below to your box. Write the RMA number in the box provided. If you are reusing a box, please remove any old shipping labels. Once you have been given an RMA number, please ship the device to the address below, using our UPS account **376FY8**.

Smartbox

Smartbox Repairs

Ysobel House
Enigma Commercial Centre
Sandys Road
Malvern
WR14 1JJ
United Kingdom

thinksmartbox.com | repairs@thinksmartbox.com | +44 (0) 1684 578868

RMA Number:

thinksmartbox.com

email repairs@thinksmartbox.com
tel (800) 933-8400

