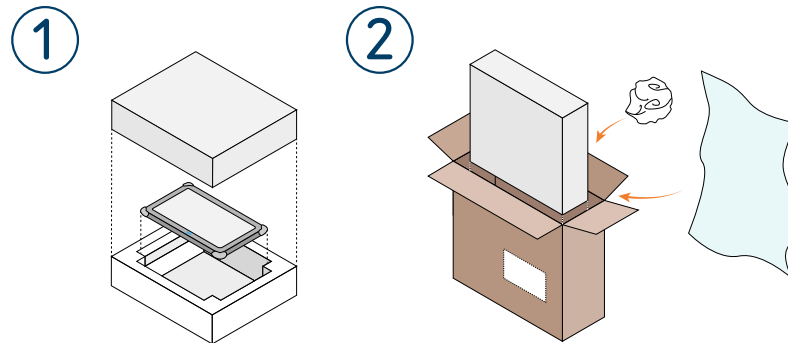


Returning your device to us

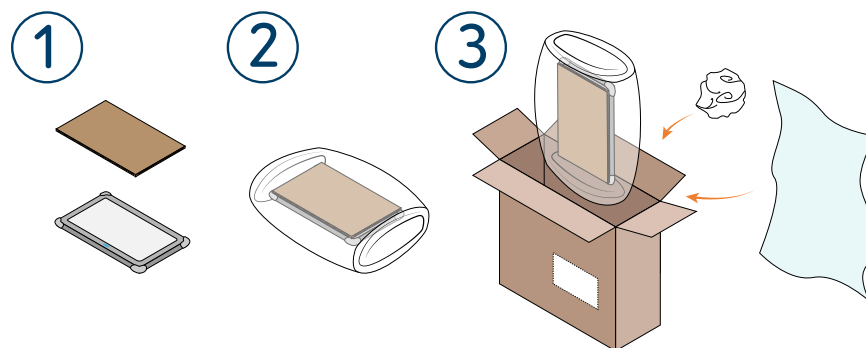
UK and Ireland

If you have the original box:



1. Place your device, along with any power leads and cables back into the original box.
2. Pack the box into a second box, with soft packaging (eg. scrunched paper, bubble wrap, polystyrene chips) to prevent movement.

If you do not have the original box:



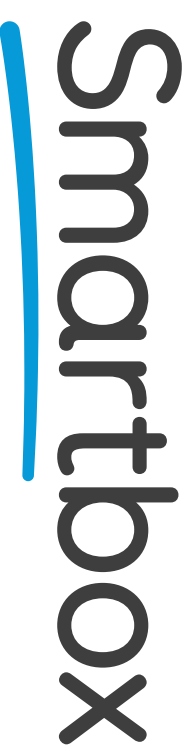
1. Cover your device's screen with a protective layer e.g. cardboard.
2. Wrap your device with soft packing, e.g. bubble wrap. A total thickness of 2 inches is recommended.
3. Pack your wrapped device and along with any power leads and cables into a mailing box with soft packaging surrounding to prevent movement.

Once packed, cut out and affix the label below to your box. If you are reusing a box, please remove any old shipping labels!

Any questions or queries please contact us:
+44 (0)1684 578868 / repairs@thinksmartbox.com



We will be in touch shortly with your RMA number and shipping instructions.



Smartbox Repairs

Ysobel House

Enigma Commercial Centre

Sandys Road

Malvern

WR14 1JJ

RMA Number:

thinksmartbox.com | repairs@thinksmartbox.com | +44 (0)1684 578868